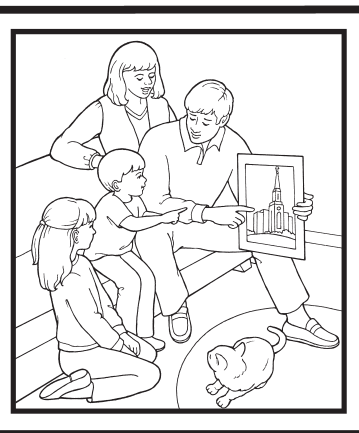
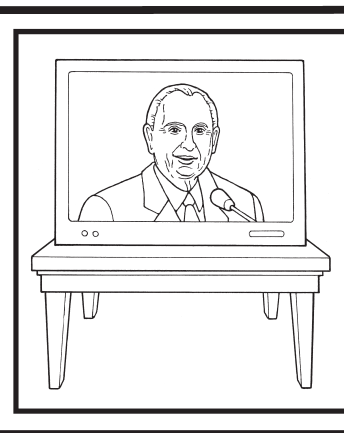
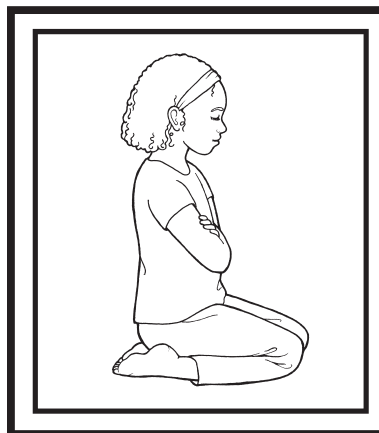
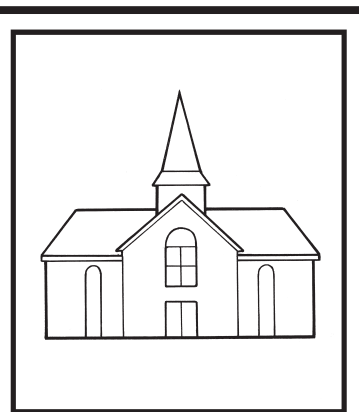
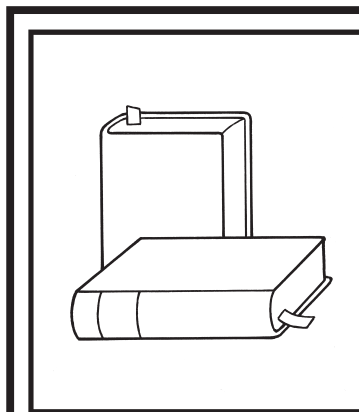


Fet i kam taem yumi harem toktok blong God (Rom 10:17).

Kalarem mo katemaot envelop, mo dresemab boe o gel wetem klos blong faet blong God. Foldem envelop long dot laen ia, mo skojem o stepol tufala saed we i sot tugeta. Putum ol pikja i go insaed long envelop.



Fet i kam taem yumi harem toktok blong God.

(Rom 10: 17)