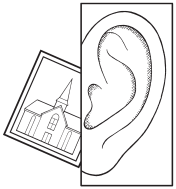
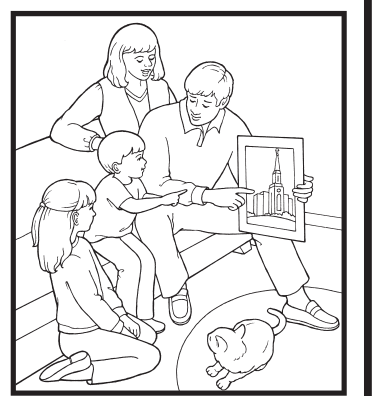
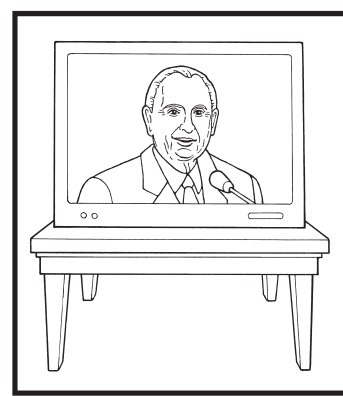
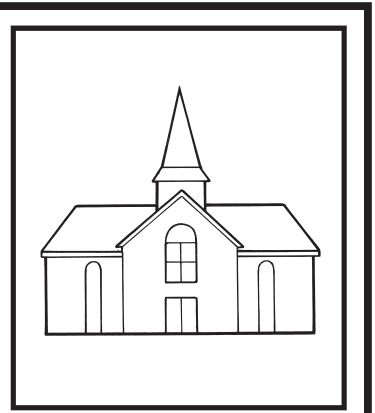
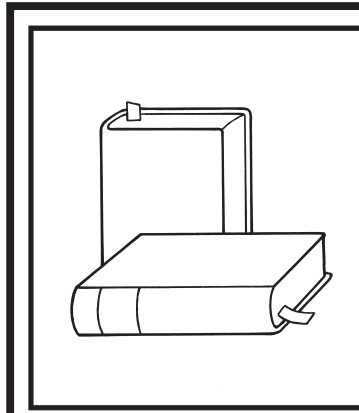


**Imani huja kwa kusikia neno la Mungu (Warumi 10:17).**

Paka rangi, kata bahasha na picha tano za njia tunasikia neno la Mungu. Kunja bahasha kwenye mistari yenye nukta nukta. na uunganishe kwa gundi au bana pande zilizo fupi pamoja. Paka rangi picha zilizo kwenye bahasha.



**Imani huja  
kwa kusikia  
neno la Mungu.**

**(Warumi 10:17)**

A large illustration of a human ear, divided by a vertical dashed line. The left side of the ear is shaded with a cross-hatch pattern, and the right side is unshaded. To the right of the dashed line, there is text in bold.